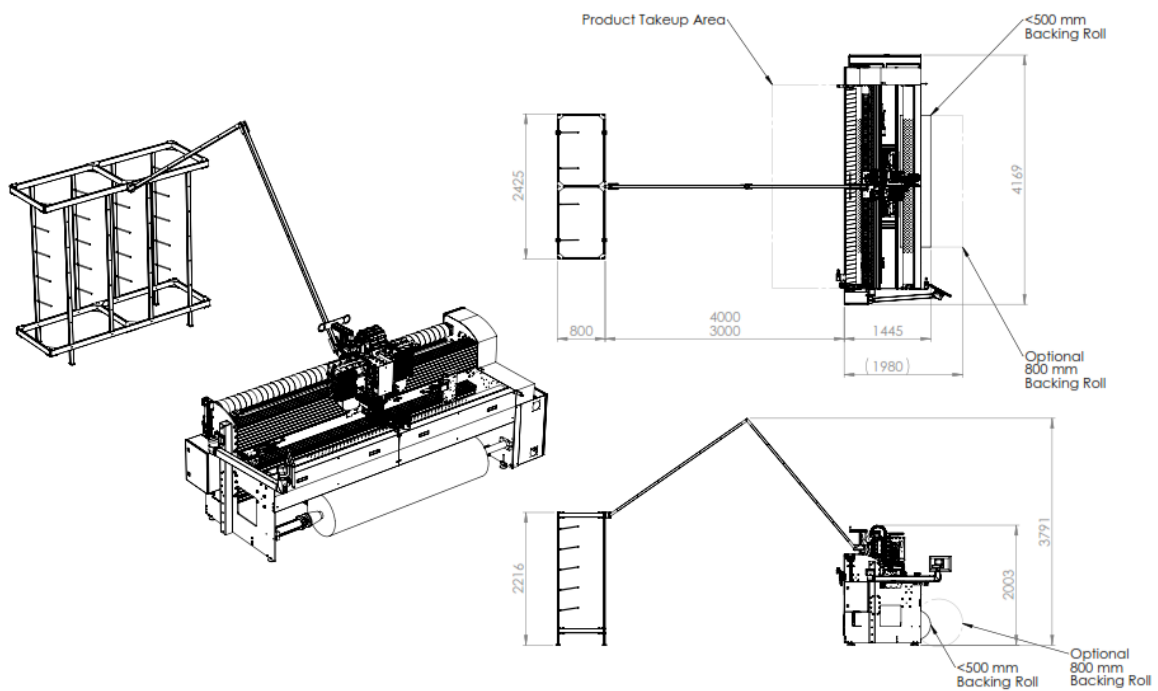


24 Needle Mtuft Pro – Dimensions

modra



Model	TMP21
Number of Yarn Positions	24
Maximum Tufting Width	2100 mm
Required Backing Width	Tufting width + 100 mm
Dimensions WxHxD mm	4200 x 2000 x 1500
Machine Mass	2400 Kg
Internal Roll Max Diameter	500 mm
External Roll Max Diameter	800 mm
Machine Speed	Max 1200 rpm
Product Take-up	Customer supplied
Creel	Customer supplied
Power Requirements	400-415V 3 phase 20A
Air Requirements	200-300 lit/min @ 8 bar

All specifications subject to change without notice